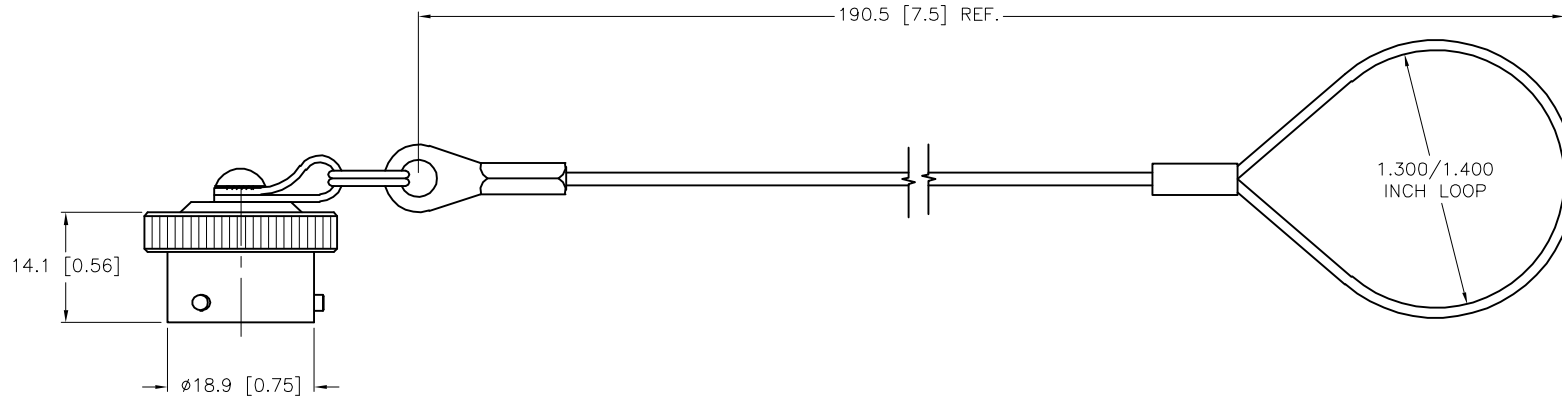


SPECIFICATIONS

CAP MATERIAL/FINISH	ALUMINUM ALLOY/OLIVE DRAB PLATING
CABLE AND EYELET MATERIAL	SST



NOTES:

1. ALL DIMENSIONS ARE REFERENCE.

SOURCE DRAWING - FOR REFERENCE ONLY

RELATED DOCUMENTS 1. 2. 3. 4.	3RD ANGLE PROJECTION 	THIS DRAWING IS CONFIDENTIAL AND THE PROPERTY OF TURCK INC. USE OF THIS DOCUMENT WITHOUT WRITTEN PERMISSION IS PROHIBITED.		3000 CAMPUS DRIVE MINNEAPOLIS, MN 55441 1-800-544-7769 (763) 553-7300 (763) 553-0708 fax www.turck.us	
	MATERIAL SEE SPECIFICATIONS	DRFT RDS APVD J.B.	DATE 06/17/14 SCALE 1=1.0	TURCK DESCRIPTION MS 3116-12-CC	
FINISH SEE SPECIFICATIONS	ALL DIMENSIONS DISPLAYED ON THIS DRAWING ARE FOR REFERENCE ONLY CONTACT TURCK FOR MORE INFORMATION	UNIT OF MEASUREMENT MILLIMETER [INCH]		IDENTIFICATION NO. U2-20024 (SOURCE)	REV B
DO NOT SCALE THIS DRAWING		FILE: U2-20024		SHEET 1 OF 1	

B	UPDATED DRAWING	AS	05/31/23	500000008308
REV	DESCRIPTION	BY	DATE	ECO NO.